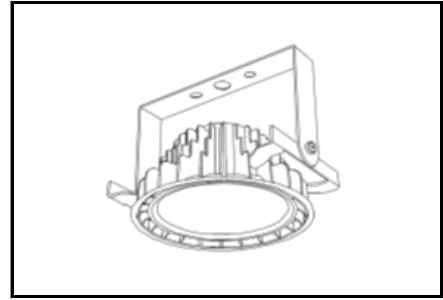
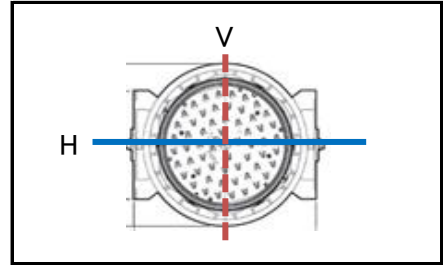


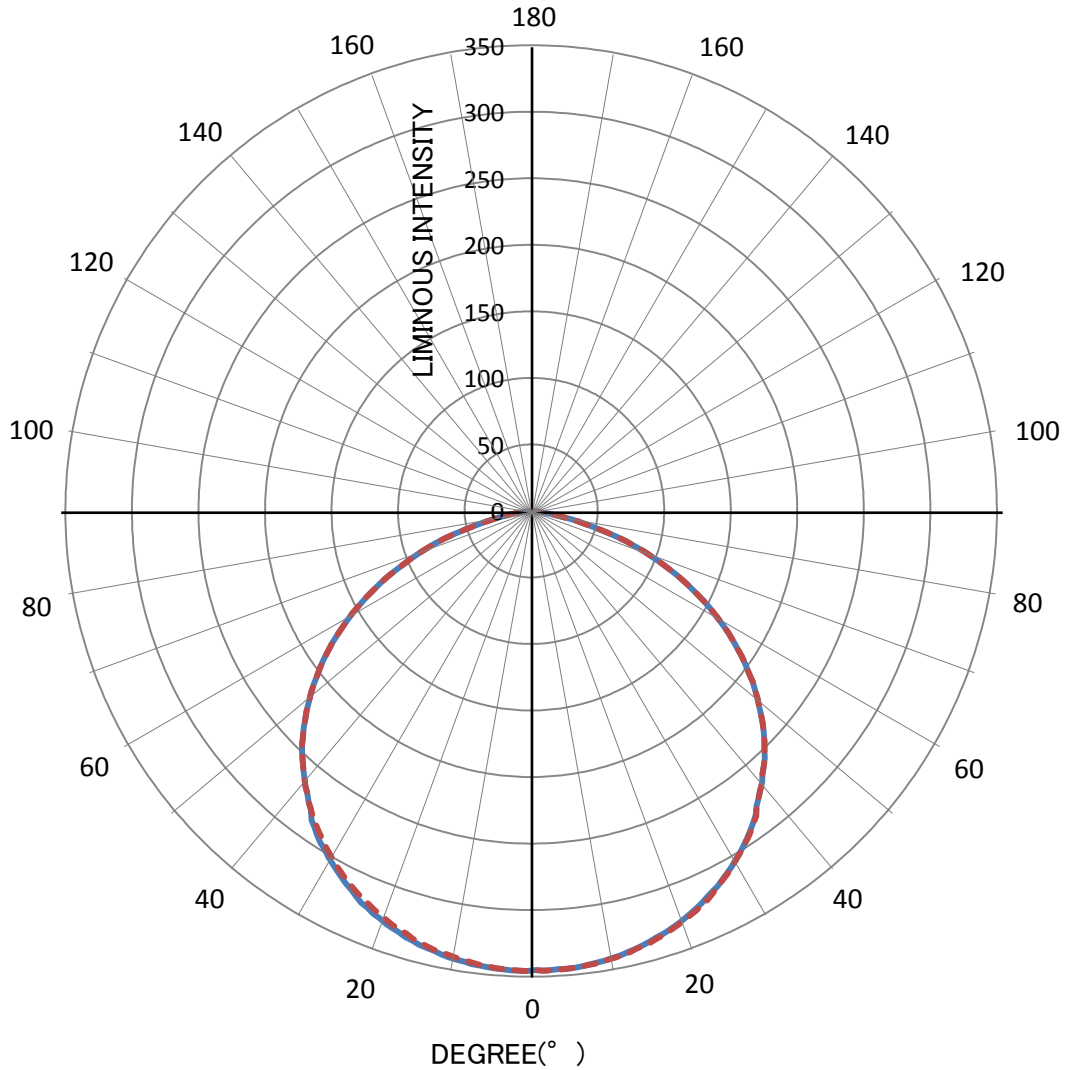
PRODUCT NAME	LLM0575A	
SPEC	LUMINOUS FLUX	7803.4 lm
	COLOR TEMPERATURE	5000K
	CRI	Ra 70



MAX. INTENSITY	2699 cd	
BEAM ANGLE	1/2	H: 116.3 ° V: 116.3 °
	1/10	H: 154.7 ° V: 154.7 °
	1/20	H: 160.9 ° V: 160.9 °



DISTRIBUTION CURVE OF LUMINOUS INTENSITY
(UNIT : cd/1000lm)



Data is a representative value and no guarantee value.

STANLEY ELECTRIC CO., LTD.