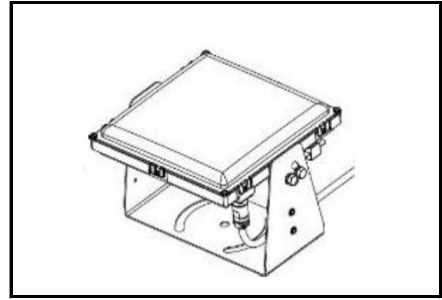
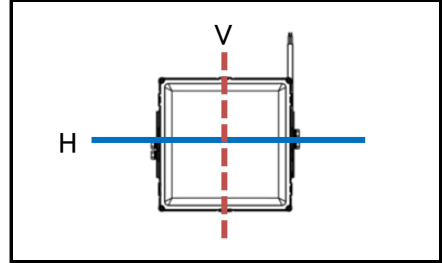


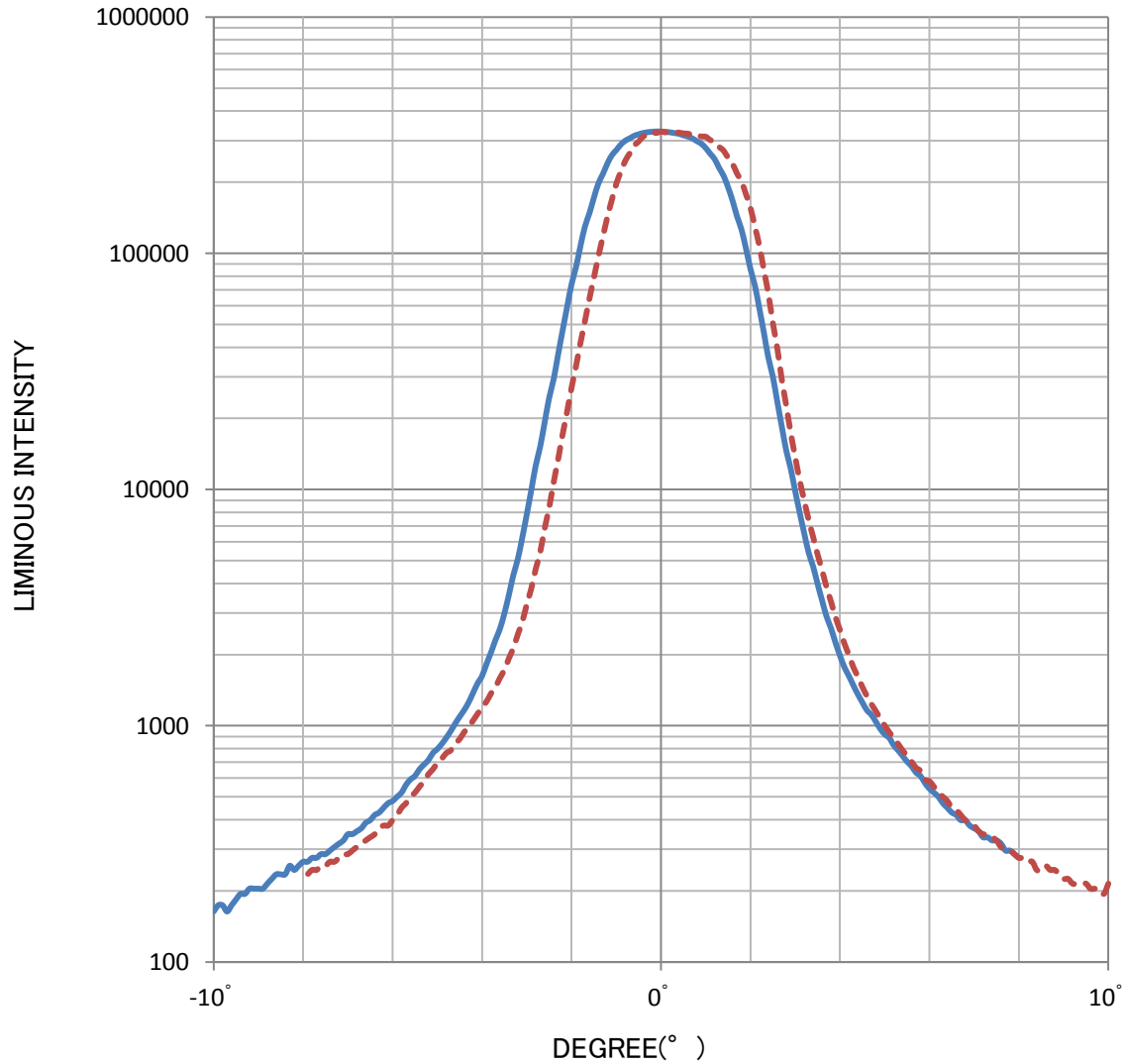
PRODUCT NAME	LLM0575A_UE	
SPEC	LUMINOUS FLUX	1330 lm
	COLOR TEMPERATURE	5000K
	CRI	Ra 70



MAX. INTENSITY	436000 cd	
BEAM ANGLE	1/2	H: 3.0 ° V: 3.0 °
	1/10	H: 4.5 ° V: 4.5 °
	1/20	H: 5.5 ° V: 5.5 °



DISTRIBUTION CURVE OF LUMINOUS INTENSITY  
(UNIT : cd/1000lm)



Data is a representative value and no guarantee value.