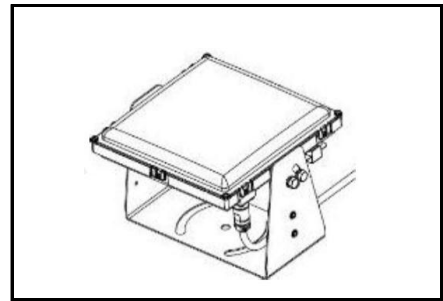
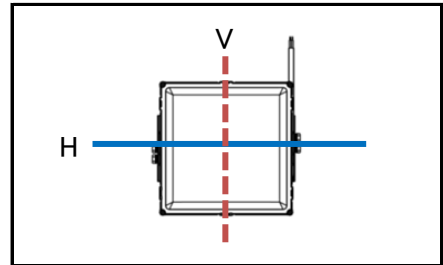


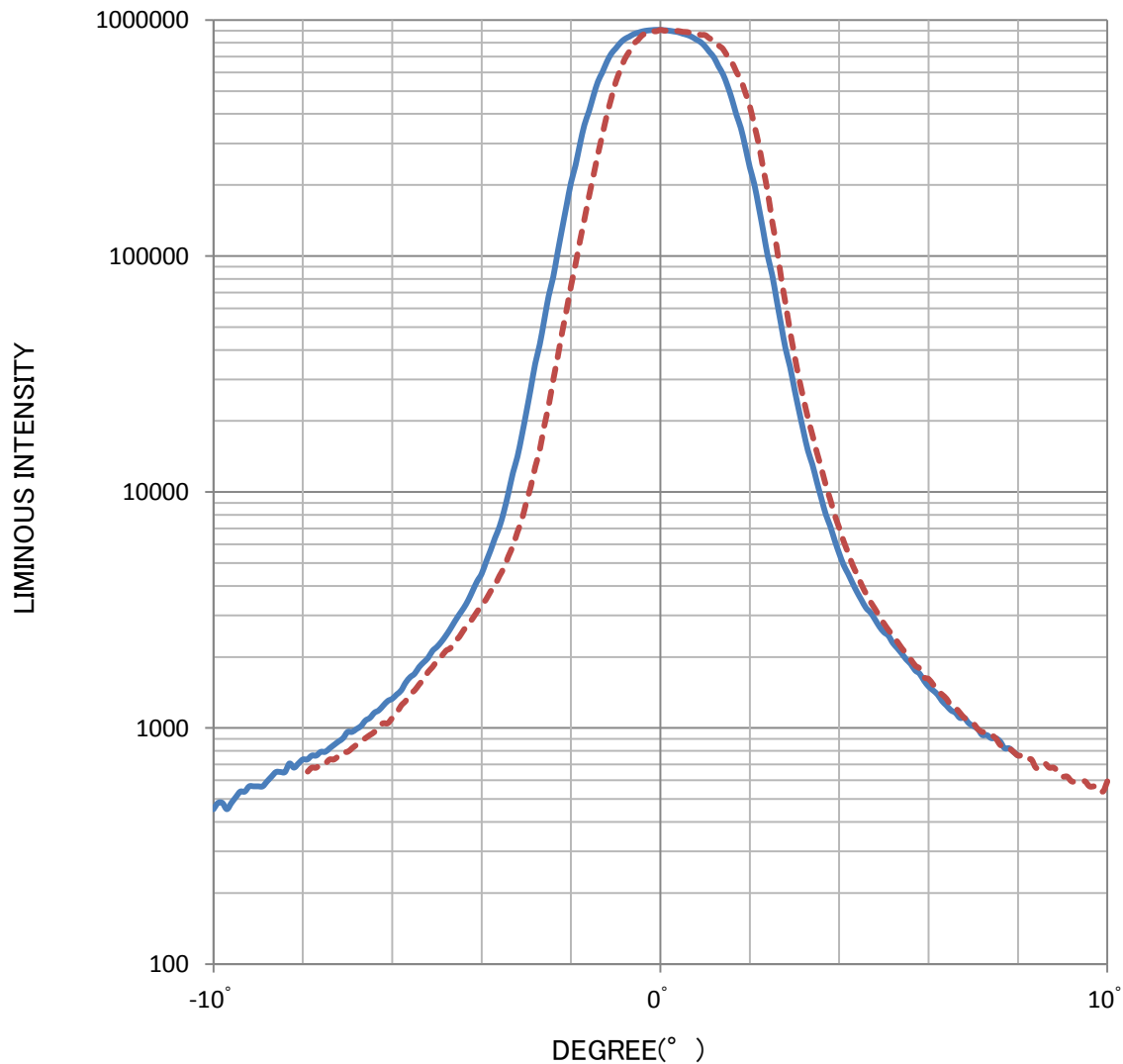
PRODUCT NAME	LLM0575A_UE FLOODLIGHT38	
SPEC	LUMINOUS FLUX	480 lm
	WAVELENGTH	475nm
	CRI	-



MAX. INTENSITY		194000 cd	
BEAM ANGLE	1/2	H: 3.0 °	V: 3.0 °
	1/10	H: 4.5 °	V: 4.5 °
	1/20	H: 5.5 °	V: 5.5 °



DISTRIBUTION CURVE OF LUMINOUS INTENSITY  
(UNIT : cd/1000lm)



Data is a representative value and no guarantee value.