



Stanley's wall-washing LED lighting fixtures, by using Stanley's optimal technics, are able to almost uniformly illuminate wall surfaces from end to end. Moreover, these lighting fixtures can be coupled to uniformly illuminate the entire area of such as a long passage and exterior wall.

Beam Angle
40° × 8

CRI
Ra85

Low Power Consumption
11W

Long life
40,000h

Light weight
0.25kg

■ Future

- Indirect lighting with reduced contrast between bright and dark areas
- Natural White (4,000K), High color rendering (Ra85)

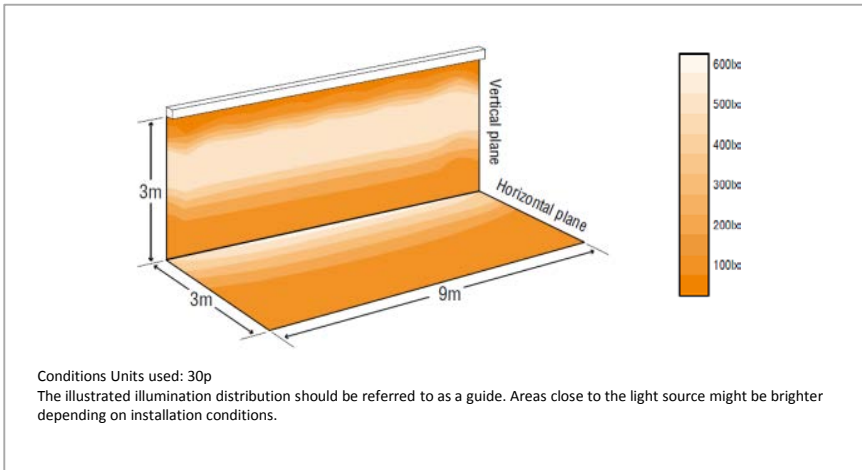
■ Applications

- Landscape lighting (wall washer lights)
- Signboard

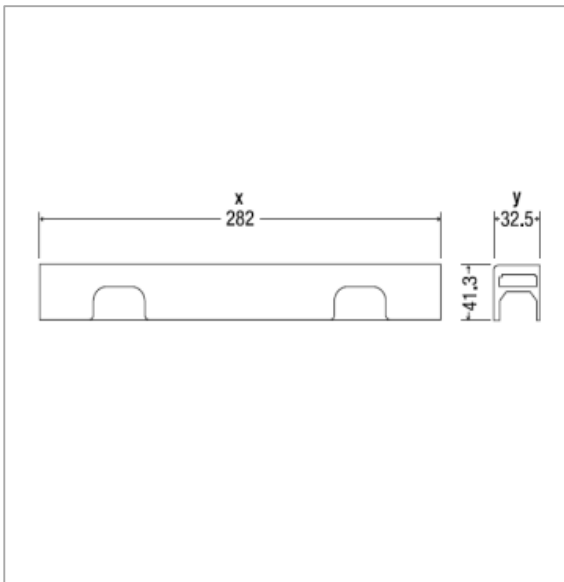
■ Technical Data

Parts Number	LLM0788A/LIGHTING EQU1
Luminous Flux	550lm
Power Consumption	11W
Beam Angle	X: 40° x Y: 8°
Color Temperature	Natural White (Typ.4,000K)
Color Rendering	Ra85
Estimated LEDs Life	40,000hr
Material	Body: Aluminum Die-cast Lens: Acrylic (Clear) Body color: White
Operating Temperature	-30° C - +50° C
Weight	0.25kg

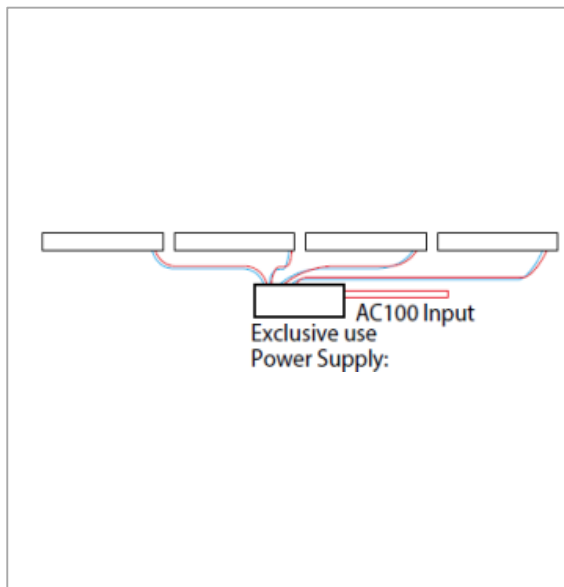
■ Illumination distribution on vertical and horizontal surfaces (example)



■ Outline Dimensions



■ Wiring Diagram



■ Adoption Example

