

Control gear included in LLF0111A

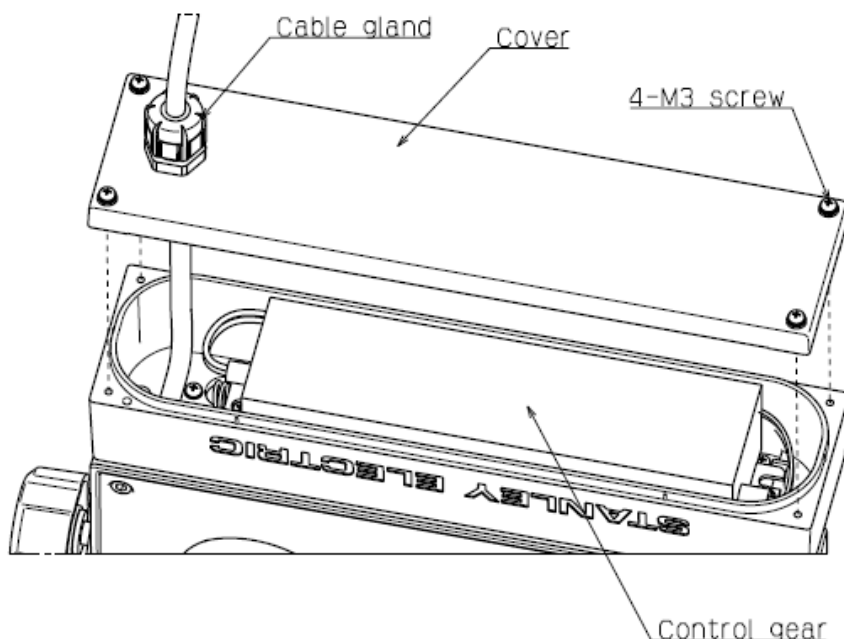
Model identifier	EUC-036S105DT(ST)
Maximum output power	36 W
Type of light source(s) for which it is intended	LED
Efficiency in full-load	87 %
No-load power (P_{no})	NA ※Not intended to operate in no-load mode
Standby power (P_{sb})	NA
Networked standby power (P_{net}),	NA
Dimming	Not suitable
Outer dimensions	193 mm x 45 mm x 35 mm
Mass	520 g
Instructions on how to remove lighting control parts and/or non-lighting parts, if any, or how to switch them off or minimize their power consumption	NA
List of compatible dimmable light sources	NA
Recommendations on how to dispose of it at the end of its life in line with Directive 2012/19/EU.	This product is separately collected WEEE. Remove the external electric cable before disposing. The cable shall be disposed of or recovered in compliance with Directive 2008/98/EC
Replaceability or non-replaceability by end-users or qualified persons without permanent damage to the containing product	Replaceable

Dismantling procedure from containing products at end of life

Step 1) Loosen the cable gland

Step 2) Loosen the four screws and remove the cover

Step 3) Cut the wire and remove the control gear



※The above is the product information based on Article 4 2019/2020 and Point 3(c) of Annex II 2019/2020

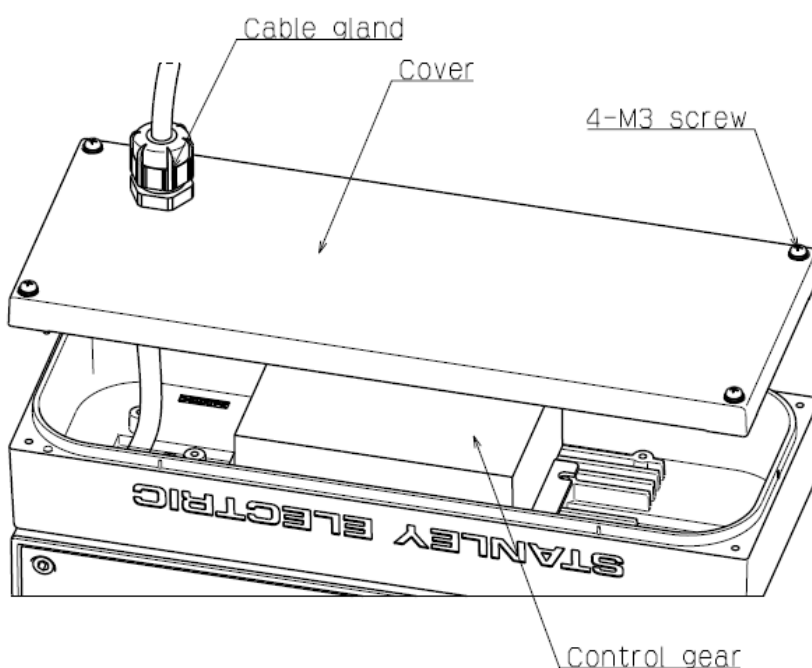
Model identifier	EUC-060S180STM0004
Maximum output power	60 W
Type of light source(s) for which it is intended	LED
Efficiency in full-load	89 %
No-load power (P_{no})	NA ※Not intended to operate in no-load mode
Standby power (P_{sb})	NA
Networked standby power (P_{net}),	NA
Dimming	Not suitable
Outer dimensions	112 mm x 64 mm x 32 mm
Mass	400 g
Instructions on how to remove lighting control parts and/or non-lighting parts, if any, or how to switch them off or minimize their power consumption	NA
List of compatible dimmable light sources	NA
Recommendations on how to dispose of it at the end of its life in line with Directive 2012/19/EU.	This product is separately collected WEEE. Remove the external electric cable before disposing. The cable shall be disposed of or recovered in compliance with Directive 2008/98/EC
Replaceability or non-replaceability by end-users or qualified persons without permanent damage to the containing product	Replaceable

Dismantling procedure from containing products at end of life

Step 1) Loosen the cable gland

Step 2) Loosen the four screws and remove the cover

Step 3) Cut the wire and remove the control gear



※The above is the product information based on Article 4 2019/2020 and Point 3(c) of Annex II 2019/2020

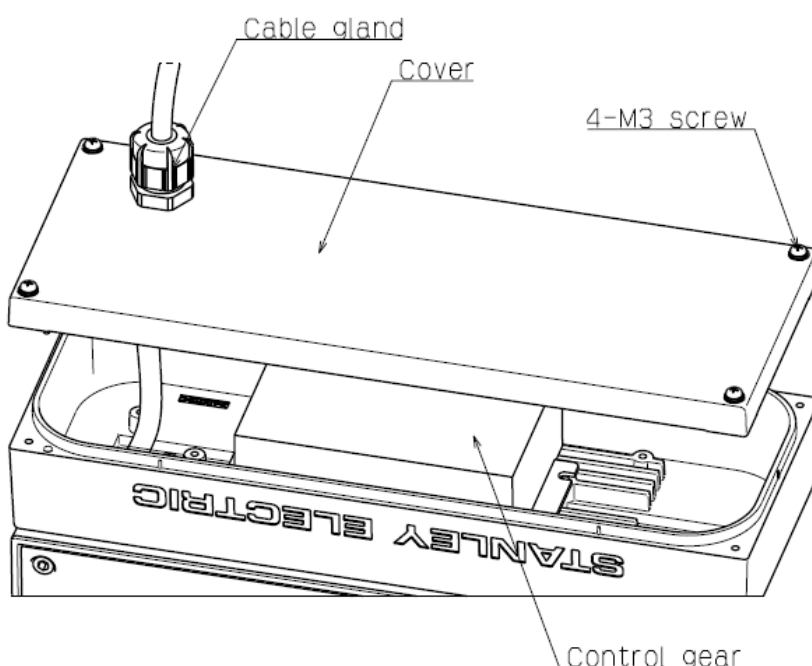
Model identifier	MU050S150BQI611
Maximum output power	50 W
Type of light source(s) for which it is intended	LED
Efficiency in full-load	87 %
No-load power (P_{no})	NA ※Not intended to operate in no-load mode
Standby power (P_{sb})	< 0.5 W
Networked standby power (P_{net}),	NA
Dimming	DMX/RDM control
Outer dimensions	130 mm x 76 mm x 30 mm
Mass	375 g
Instructions on how to remove lighting control parts and/or non-lighting parts, if any, or how to switch them off or minimize their power consumption	NA
List of compatible dimmable light sources	NA
Recommendations on how to dispose of it at the end of its life in line with Directive 2012/19/EU.	This product is separately collected WEEE. Remove the external electric cable before disposing. However, this product does not have an external cable.
Replaceability or non-replaceability by end-users or qualified persons without permanent damage to the containing product	Replaceable

Dismantling procedure from containing products at end of life

Step 1) Loosen the cable gland

Step 2) Loosen the four screws and remove the cover

Step 3) Cut the wire and remove the control gear



※The above is the product information based on Article 4 2019/2020 and Point 3(c) of Annex II 2019/2020

Light source included in LLF0111A

Model identifier	<p>LLM0111A/LS 22X S-16273A LLM0111A/LS 27X S-16273A LLM0111A/LS 30X S-16273A LLM0111A/LS 40X S-16273A LLM0111A/LS 50X S-16273A LLM0111A/LS 57X S-16273A LLM0111A/LS 65X S-16273A</p> <p>LLM0111A/P-SAY 27X S-16375A LLM0111A/P-SAY 30X S-16375A LLM0111A/P-SAY 40X S-16375A LLM0111A/P-SAY 50X S-16375A LLM0111A/P-SAY 57X S-16375A LLM0111A/P-SAY 65X S-16375A</p>
The reference control settings, and instructions on how they can be implemented, where applicable	NA
Instructions on how to remove lighting control parts and/or non-lighting parts, if any, or how to switch them off or minimize their power consumption	NA
If the light source is dimmable: a list of dimmers it is compatible with, and the light source	NA
Recommendations on how to dispose of the light source at the end of its life in line with Directive 2012/19/EU	<p>This product is separately collected WEEE. There are no components to remove from separately collected WEEE according to Article 8.</p>
Replaceability or non-replaceability by end-users or qualified persons without permanent damage to the containing product	Non-replaceable
<p>Dismantling procedure from containing products at end of life</p> <p>The luminaire housing is glued to provide effective protection. When removing the light source, warm the glued part between the housing and the cover to 80 °C or higher and melting the glue.</p>	

※The above is the product information based on Article 4 2019/2020 and Point 3(c) of Annex V 2019/2015

Revision history

REVISIONS	DATE	REV. BY
New document issue	2021-08-31	T.UCHIYAMA
Added control gear and light source information of middle angle type	2021-11-09	T.UCHIYAMA
Added control gear for DMX/RDM control type	2023-03-01	T.UCHIYAMA