

Control gear included in LLF0112A

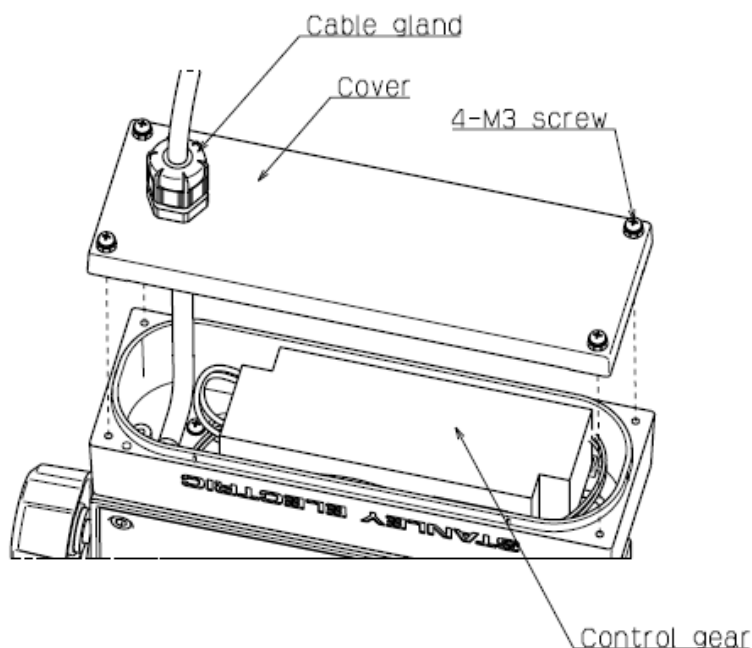
| | |
|---|---|
| Model identifier | LUC-018S105DSP |
| Maximum output power | 18 W |
| Type of light source(s) for which it is intended | LED |
| Efficiency in full-load | 82 % |
| No-load power (P_{no}) | NA ※Not intended to operate in no-load mode |
| Standby power (P_{sb}) | NA |
| Networked standby power (P_{net}), | NA |
| Dimming | Not suitable |
| Outer dimensions | 120 mm x 42 mm x 30.5 mm |
| Mass | 200 g |
| Instructions on how to remove lighting control parts and/or non-lighting parts, if any, or how to switch them off or minimize their power consumption | NA |
| List of compatible dimmable light sources | NA |
| Recommendations on how to dispose of it at the end of its life in line with Directive 2012/19/EU. | This product is separately collected WEEE. Remove the external electric cable before disposing. The cable shall be disposed of or recovered in compliance with Directive 2008/98/EC |
| Replaceability or non-replaceability by end-users or qualified persons without permanent damage to the containing product | Replaceable |

Dismantling procedure from containing products at end of life

Step 1) Loosen the cable gland

Step 2) Loosen the four screws and remove the cover

Step 3) Cut the wire and remove the control gear



※The above is the product information based on Article 4 2019/2020 and Point 3(c) of Annex II 2019/2020

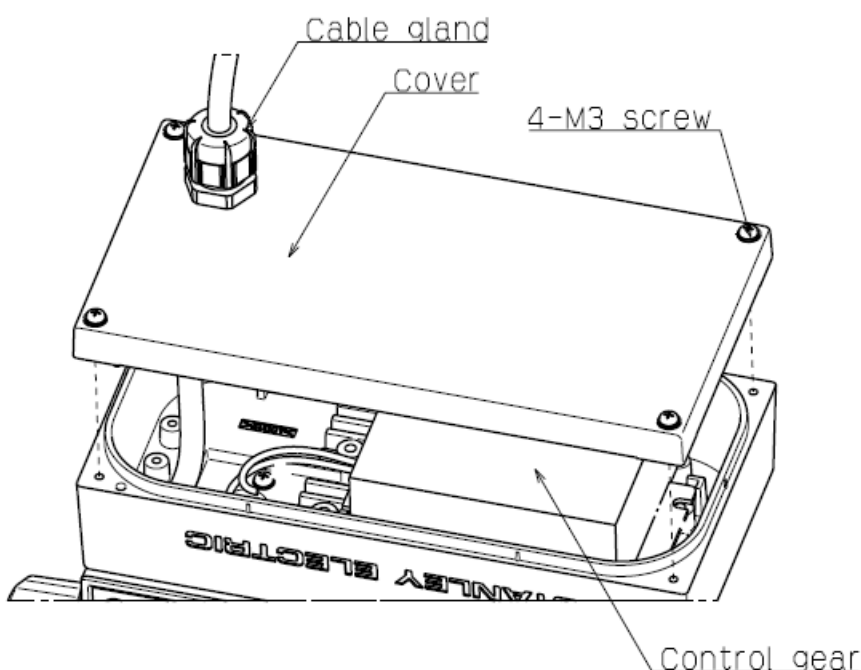
| | |
|---|---|
| Model identifier | EUC-035S105STM |
| Maximum output power | 35 W |
| Type of light source(s) for which it is intended | LED |
| Efficiency in full-load | 87 % |
| No-load power (P_{no}) | NA ※Not intended to operate in no-load mode |
| Standby power (P_{sb}) | NA |
| Networked standby power (P_{net}), | NA |
| Dimming | Not suitable |
| Outer dimensions | 97 mm x 64 mm x 32 mm |
| Mass | 330 g |
| Instructions on how to remove lighting control parts and/or non-lighting parts, if any, or how to switch them off or minimize their power consumption | NA |
| List of compatible dimmable light sources | NA |
| Recommendations on how to dispose of it at the end of its life in line with Directive 2012/19/EU. | This product is separately collected WEEE. Remove the external electric cable before disposing. The cable shall be disposed of or recovered in compliance with Directive 2008/98/EC |
| Replaceability or non-replaceability by end-users or qualified persons without permanent damage to the containing product | Replaceable |

Dismantling procedure from containing products at end of life

Step 1) Loosen the cable gland

Step 2) Loosen the four screws and remove the cover

Step 3) Cut the wire and remove the control gear



※The above is the product information based on Article 4 2019/2020 and Point 3(c) of Annex II 2019/2020

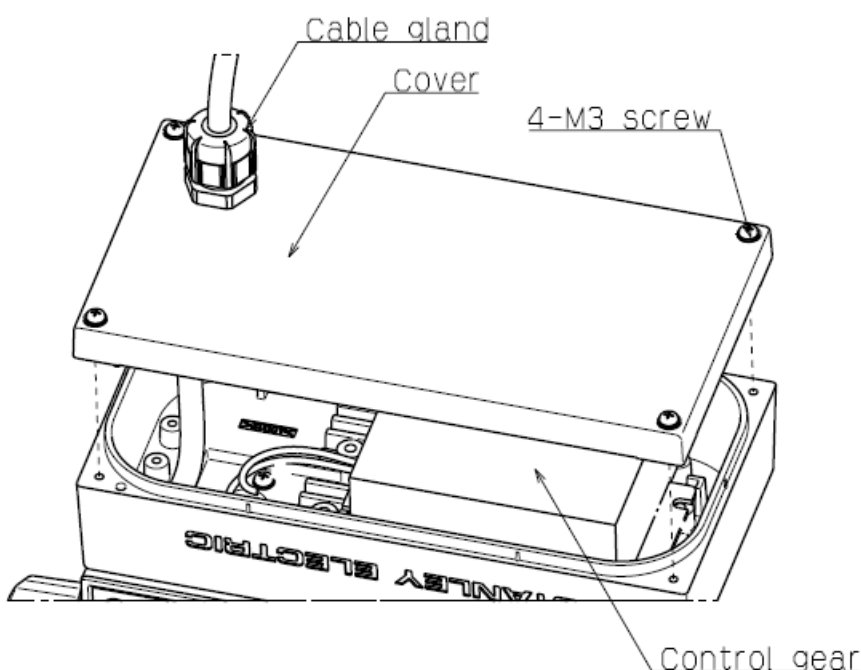
| | |
|---|--|
| Model identifier | MU050S150BQI611 |
| Maximum output power | 50 W |
| Type of light source(s) for which it is intended | LED |
| Efficiency in full-load | 87 % |
| No-load power (P_{no}) | NA ※Not intended to operate in no-load mode |
| Standby power (P_{sb}) | < 0.5 W |
| Networked standby power (P_{net}), | NA |
| Dimming | DMX/RDM control |
| Outer dimensions | 130 mm x 76 mm x 30 mm |
| Mass | 375 g |
| Instructions on how to remove lighting control parts and/or non-lighting parts, if any, or how to switch them off or minimize their power consumption | NA |
| List of compatible dimmable light sources | NA |
| Recommendations on how to dispose of it at the end of its life in line with Directive 2012/19/EU. | This product is separately collected WEEE. Remove the external electric cable before disposing. However, this product does not have an external cable. |
| Replaceability or non-replaceability by end-users or qualified persons without permanent damage to the containing product | Replaceable |

Dismantling procedure from containing products at end of life

Step 1) Loosen the cable gland

Step 2) Loosen the four screws and remove the cover

Step 3) Cut the wire and remove the control gear



※The above is the product information based on Article 4 2019/2020 and Point 3(c) of Annex II 2019/2020

Light source included in LLF0112A

| | |
|---|---|
| Model identifier | <p>LLM0112A/LS 22X S-16271A LLM0112A/LS 27X S-16271A LLM0112A/LS 30X S-16271A LLM0112A/LS 40X S-16271A LLM0112A/LS 50X S-16271A LLM0112A/LS 57X S-16271A LLM0112A/LS 65X S-16271A</p> <p>LLM0112A/P-SAY 27X S-16374A LLM0112A/P-SAY 30X S-16374A LLM0112A/P-SAY 40X S-16374A LLM0112A/P-SAY 50X S-16374A LLM0112A/P-SAY 57X S-16374A LLM0112A/P-SAY 65X S-16374A</p> |
| The reference control settings, and instructions on how they can be implemented, where applicable | NA |
| Instructions on how to remove lighting control parts and/or non-lighting parts, if any, or how to switch them off or minimize their power consumption | NA |
| If the light source is dimmable: a list of dimmers it is compatible with, and the light source | NA |
| Recommendations on how to dispose of the light source at the end of its life in line with Directive 2012/19/EU | <p>This product is separately collected WEEE. There are no components to remove from separately collected WEEE according to Article 8.</p> |
| Replaceability or non-replaceability by end-users or qualified persons without permanent damage to the containing product | Non-replaceable |
| <p>Dismantling procedure from containing products at end of life</p> <p>The luminaire housing is glued to provide effective protection. When removing the light source, warm the glued part between the housing and the cover to 80 °C or higher and melting the glue.</p> | |

※The above is the product information based on Article 4 2019/2020 and Point 3(c) of Annex V 2019/2015

Revision history

| REVISIONS | DATE | REV. BY |
|--|------------|------------|
| New document issue | 2021-08-31 | T.UCHIYAMA |
| Added control gear and light source information of middle angle type | 2021-11-09 | T.UCHIYAMA |
| Added control gear for DMX/RDM control type | 2023-03-01 | T.UCHIYAMA |
| | | |
| | | |
| | | |