



Vibration resistance 5G

Noise resistance

Heavy salt resistance

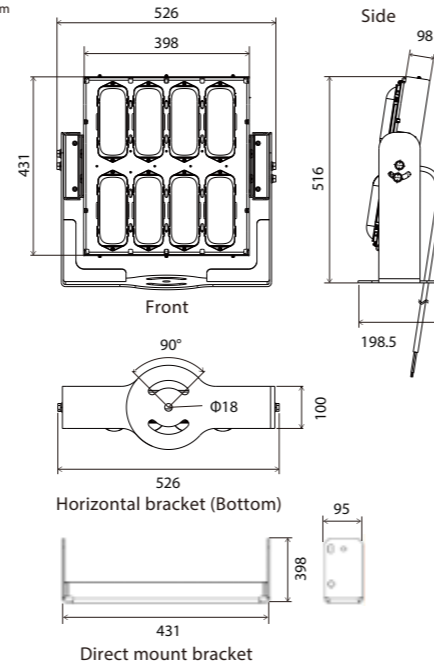
High waterproof IP66

### Specification

Body: Aluminum sheet metal  
 Outer cover: Polycarbonate  
 Power consumption: Consumption: 335 W (at 220V)  
 Input voltage: AC 100-240V  
 Lightning surge protection pressure resistance: 15kV (Common mode)  
 Ambient temperature: -30-50°C  
 Weight: 12.5 kg  
 Waterproof and dustproof: IP66  
 LED light source lifetime: 60,000 hours (lumen maintenance factor 70%)  
 Wind resistance: 60 m/s  
 Power source: dedicated power source (sold separately)  
 Attachment arm: direct mount bracket type and Horizontal bracket type

### Dimensions

Unit: mm



Horizontal bracket (Bottom)



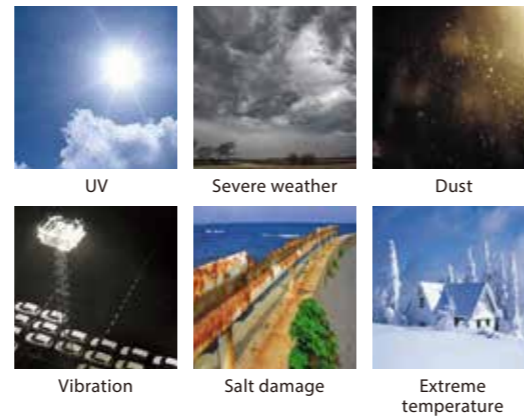
Direct mount bracket



## Excellent vibration resistance, ideal for installation in port facilities

In order to enable its use in harsh environments, we used as a base an existing lighting fixture with a track record of use in extremely salty areas. We also analyzed what part of the fixture would be most affected by shocks when used on a crane, and developed the arm with special quake-proof performance.

### Excellent durability



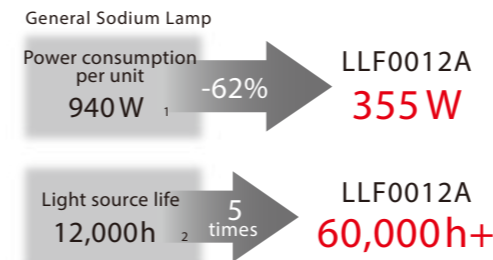
**Quake-proof structure** / It can be used in environments with strong vibrations, as it is equipped with quake-proofing.

**Heavy duty** / We provide high quality and reliable LED floodlights which have passed harsh environment endurance tests.

**Automobile headlamp technology** / We achieved light distribution with greater uniformity by utilizing the light distribution designs and technology developed over the years through our work designing automobile headlamps

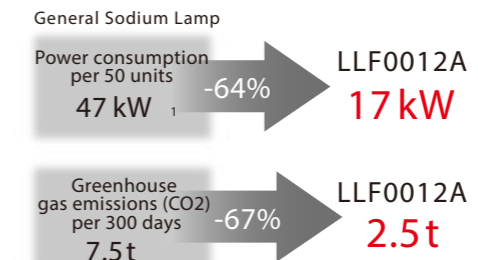
**Energy efficient & eco-friendly** / The higher efficiency enables energy saving and thus contributes to a reduction in greenhouse gases.

### Comparison of Energy Efficiency



<sub>1</sub> Power consumption per lighting fixture  
<sub>2</sub> Lifetime of the light source

### Comparison of CO2 Emissions



<sub>1</sub> Power consumption per 50 lighting fixtures  
<sub>2</sub> Amount of greenhouse gas (CO2) emission (per 300 days)

Part No.	LLF0012A/ FLOODLIGHT 3	LLF0012A/ FLOODLIGHT 2	LLF0012A/ FLOODLIGHT 1	LLF0012A/ FLOODLIGHT 33	LLF0012A/ FLOODLIGHT 23	LLF0012A/ FLOODLIGHT 13
Color Temperature		5700K (White)			3000K (Lamp color)	
Light Distribution Angle	Narrow angle	Meddle angle	Wide angle	Narrow angle	Meddle angle	Wide angle
Light Distribution Angle (1/2 beam angle)	19°	22°	73°	19°	22°	73°
Light Distribution Angle (1/10 beam angle)	35°	58°	98°	35°	58°	98°
Fixture Luminous Flux (at 220 V)	38,400 lm	39,600 lm	40,800 lm	35,200 lm	36,000 lm	36,800 lm
Energy Consumption	115 lm/W	118 lm/W	122 lm/W	105 lm/W	107 lm/W	110 lm/W

### Adoption example

