



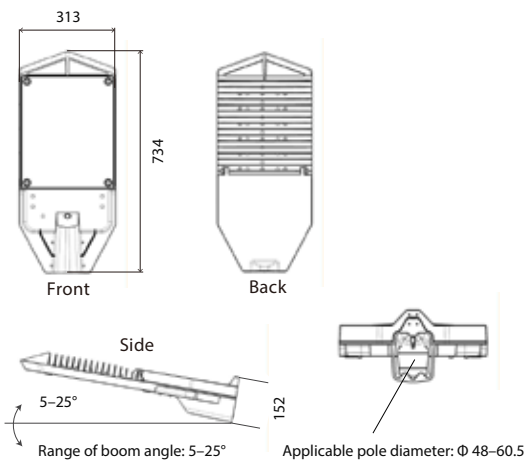
- Heat resistance
- Vibration resistance 2G
- Noise resistance
- UV resistance
- Heavy salt resistance
- High waterproof IP66

Specification

Body: aluminum die cast, Outer cover: Tempered glass
 Color temperature: 4000K
 Waterproof and dustproof: IP66
 LED light source lifetime: 60,000 hours (lumen maintenance factor 70%)
 Shock resistance: IK08
 Vibration resistance: 2 G
 Ambient temperature: -20~50°C
 Wind resistance: 60 m/s
 Input voltage: AC 100~240 V
 Lightning surge protection pressure resistance: 20 kV (Common mode)
 Weight: 10 kg

Dimensions

Unit: mm



Visualization of when light is turned on

Thin body to match the surroundings LED road lighting that can withstand harsh environments

With a lightning surge tolerance as high as 20 kV, this product delivers peace of mind with its long service life under harsh conditions. The risk of insects getting inside the product is very low, because it is designed with high airtightness (IP66), including parts other than the light source. Combination of 6 output types and 4 light distribution patterns meets various needs. Installation for this lighting fixture is simple because opening / closing of the cover does not require a tool.

Design that suits urban areas

Implemented optimal control of light distribution with a slim body that matches a variety of scenes.

High tolerance to UV

Tempered glass is used for the outer lens of the light-emitting part, and the optical lenses are made of acryl.

High tolerance to heat

Tolerates ambient temperatures up to 50°C.

Wide range of input voltage

Supports voltages in the range of AC 90~305 V; usable in regions with unstable voltage. Performance in the voltage range outside the rated voltage is not guaranteed.

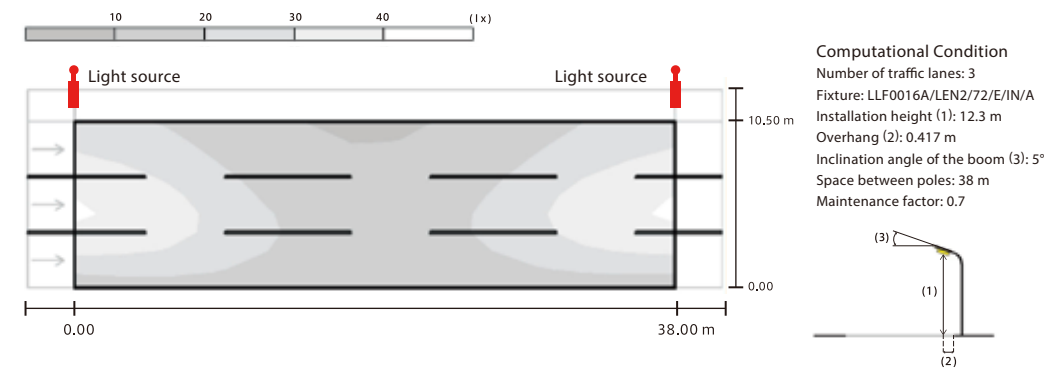
Wide variety of lenses

Uniform light distribution on road surfaces is provided by selecting the appropriate lens from 4 different options.

Maintenance & upgrading

In addition to the power source part, we unitized the LED part so it can be replaced or upgraded as a unit.

Simulation of Light Distribution



Computational Condition
 Number of traffic lanes: 3
 Fixture: LLF0016A/LEN2/72/E/IN/A
 Installation height (1): 12.3 m
 Overhang (2): 0.417 m
 Inclination angle of the boom (3): 5°
 Space between poles: 38 m
 Maintenance factor: 0.7

Average illuminance: 22 lx
 Overall uniformity ratio of illuminance 1 (min/ave): 0.42
 Overall uniformity ratio of illuminance 2 (min/ave): 0.23

Part No.	LLF0016A/LEN□/56/E/IN/A	LLF0016A/LEN□/64/E/IN/A	LLF0016A/LEN□/72/E/IN/A	LLF0016A/LEN□/76/E/IN/A	LLF0016A/LEN□/80/E/IN/A	LLF0016A/LEN□/96/E/IN/A
Power Consumption (at 220 V)	117 W	134 W	150 W	159 W	167 W	202 W
Fixture Luminous Flux	15,000 lm	17,200 lm	19,400 lm	20,400 lm	21,500 lm	25,800 lm
Energy Consumption	129 lm/W	129 lm/W	129 lm/W	129 lm/W	129 lm/W	129 lm/W
Type of Road	General	General	General / Expressway	General / Expressway	General / expressway	Expressway

Adoption example

