

Indoor Maintenance-Free Lighting

LED Lighting under the Eaves

LLF0040A

Compact but powerful





LED Lighting under the Eaves

LLF0040A



Features

Compact

Designed to be as compact as the external dimension 650 x 100 x 153mm (incl. arm).

Angle adjustment

The swing arm allows adjustment of irradiation angle.

Wide variety of lenses

The optical lenses provide a wide range of lighting designs.

Moisture-proof and rainproof

It has IP23.

Design Concept

The LED module used in this lighting is waterproof. With the light distribution control by lens, we materialized a light distribution that stretches along the long side of the product. The presence of fixture can be hidden because the width of the product is small and thus it can be placed in the wiring duct.

Example



Lights inside the factory of Indonesia Stanley, Indonesia

Product Image



Front



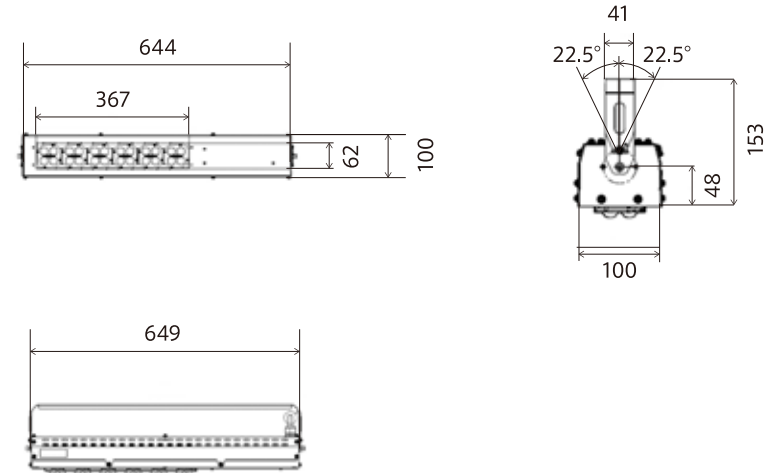
Side



Back

External Dimension

unit: mm



Specifications

Part No.

LLF0040A

Color Temperature:	5000K	Ambient Temperature:	-20 ~ 50°C
Power Consumption:	52W (at AC 220V)	Water and Dust Resistance:	IP23
Luminous Flux of the Light Source:	5,760 lm (5000K)	Variation of Lens:	narrow angle/medium angle/wide angle
Luminous Efficiency:	111 lm/W	Weight:	3.7kg
Material:	SECC	Power Source:	Built-in
Color Rendering Property:	Ra70	Lightning Surge Protection Pressure Resistance:	10kV (Common mode)
Input Voltage:	AC90 ~ 305V/rated voltage AC100 ~ 277V	Life of LED's Light Source:	40,000h (lumen maintenance factor 70%)