

# LEDHIGHBAY

LED High Bay Lighting  
LED Lighting under the Eaves

LLF0058A  
LLF0040A

Remarkably thin and light

LED High Bay Lighting LLF0058A

Compact but powerful

LED Lighting under the Eaves LLF0040A

LEDSFOCUS  
Landscape Lighting

LEDSROAD  
Road Lighting

LEDHIGHMAST  
Outdoor LED floodlight

LEDHIGHBAY  
Indoor Maintenance-Free  
Lighting

# LEDHIGHBAY

LED High Bay Lighting LLF0058A



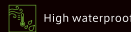
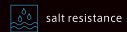
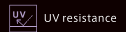
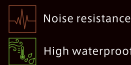
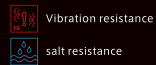
pdf data



## Concept

We materialized heat diffusion without a heat radiation fin. We adopted a design that makes the light-emitting part look thin when installed. The structure of housing is designed to keep adequate strength even being made of aluminum, so the product is lightweight and the color tone can be unified.

## Features



Innovative design

The body is thinner because we made the light-emitting part thin by not using the conventional radiation fin.

Lightweight

Helps reducing the man-hour for installation.

Angle adjustment

The angle of light can easily be adjusted after installation, because the range of motion of this fixture is 35° each to right and left.

Wide range of input voltage

Voltage for lighting can be in the range of AC90-305V; usable in regions with unstable voltage.

## Projects



Sapporo Ryutsu System, Nagoya Aichi



Sapporo Ryutsu System, Sapporo Hokkaido



Lights inside the pit of B-Quik, Thailand

## Product Image



Front



Side



Side



Built-in power source

## Specifications

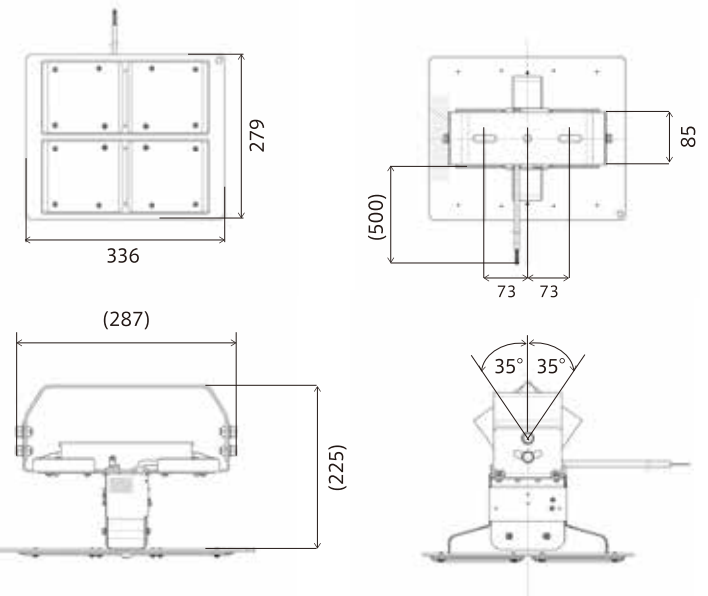
<b>Part No.</b>	<b>LLF0058A</b>							
Color Temp.	5000K	5000K	5000K	5000K	3000K	3000K	3000K	3000K
Power Consumption (at AC220V)	56W	111W	163W	215W	56W	111W	163W	215W
Fixture Luminous Flux	8420lm	16850lm	25300lm	33700lm	8000lm	16000lm	24000lm	32000lm
Luminous Efficiency (at AC220V)	150lm/W	152lm/W	155lm/W	157lm/W	143lm/W	144lm/W	147lm/W	148lm/W
Weight	2.2kg	2.9kg	4.2kg	5.7kg	2.2g	2.9kg	4.2kg	5.7kg

<b>Material:</b>	Body: aluminum sheet
<b>Color Rendering Property:</b>	Ra70
<b>Input Voltage:</b>	rated voltage AC100 ~ 240V
<b>Ambient Temperature:</b>	-20 ~ 45°C
<b>Waterproof and dustproof:</b>	IP20
<b>LED light source lifetime:</b>	60,000h (lumen maintenance factor 70%)
<b>1/2 Beam Angle:</b>	120°

## External Dimension s

2-module type (111W)

unit: mm



## Simulation of Light Distribution

