



Vibration resistance
1G

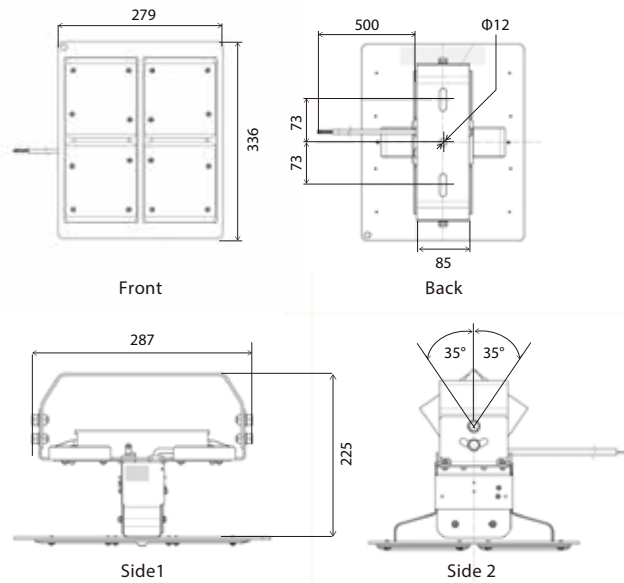
Noise resistance

Specification

Body: Aluminum sheet metal
 Input voltage: AC 90–305 V
 Ambient temperature: -20–45°C
 Waterproof and dustproof: IP20
 LED light source lifetime: 60,000 hours (lumen maintenance factor 70%)
 1/2 beam angle: 120°

Dimensions 2-module type (111 W)

Unit: mm

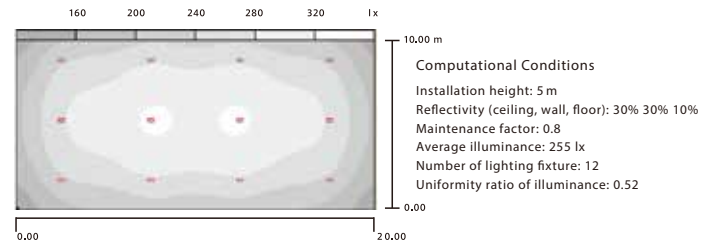


Built-in power supply

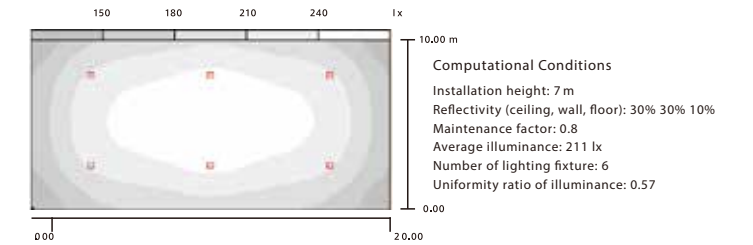


Simulation of Light Distribution

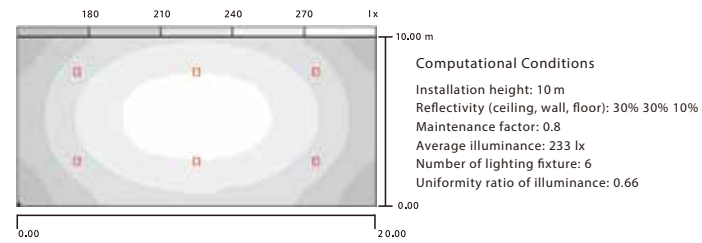
1 module 5000K



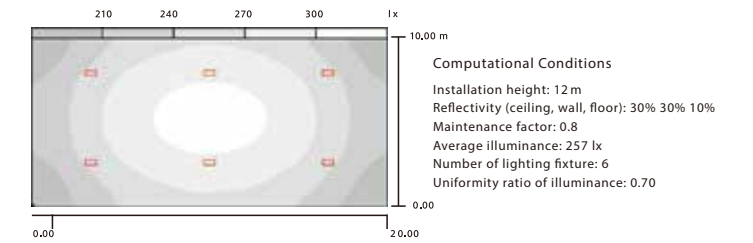
2 module 5000K



3 module 5000K



4 module 5000K



Part No.	LLF0058A/ 1400/01/G/IN/A	LLF0058A/ 1400/02/G/IN/A	LLF0058A/ 1400/03/G/IN/A	LLF0058A/ 1400/04/G/IN/A	LLF0058A/ 1400/01/C/IN/A	LLF0058A/ 1400/02/C/IN/A	LLF0058A/ 1400/03/C/IN/A	LLF0058A/ 1400/04/C/IN/A
	5000K				3000K			
Module Type	1	2	3	4	1	2	3	4
Power Consumption (at 220 V)	56 W	111 W	163 W	215 W	56 W	111 W	163 W	215 W
Fixture Luminous Flux	8,420 lm	16,850 lm	25,300 lm	33,700 lm	8,000 lm	16,000 lm	24,000 lm	32,000 lm
Intrinsic Energy Consumption Efficiency (at 220V)	150 lm/W	152 lm/W	155 lm/W	157 lm/W	143 lm/W	144 lm/W	147 lm/W	148 lm/W
Weight	2.2 kg	2.8 kg	4.2 kg	5.7 kg	2.2 kg	2.9 kg	4.2 kg	5.7 kg

Adoption example



Excellent vibration resistance and a lightweight, thin body, making it ideal for ensuring brightness in factories, warehouses, etc.

We are able to achieve heat dissipation without needing heat radiation fins.

We adopted a design that makes the light-emitting part look thin when installed.

The housing structure uses aluminum yet is strong, making the product lightweight and giving it a unified color.

Innovative maintenance-free design

The body is thinner because we made the light-emitting part thin by not using the conventional radiation fin.

Lightweight

Helps reducing the person-hours needed for installation.

Angle adjustment

The angle of light can easily be adjusted after installation, because the range of motion of this fixture is 35° in both the right and left directions.

Wide range of input voltage

Supports voltages in the range of AC 90–305 V; usable in regions with unstable voltage.