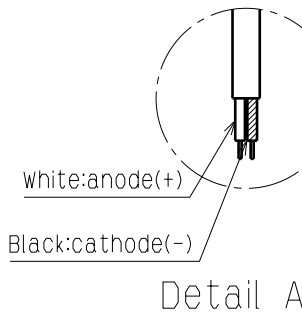
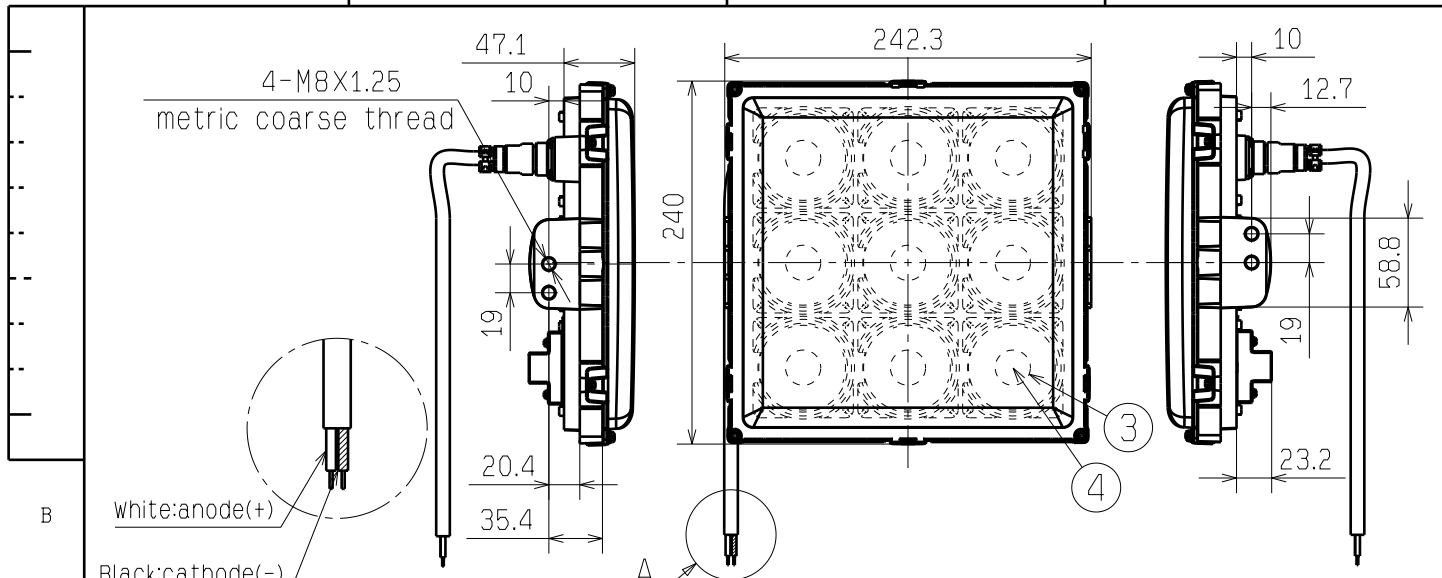


1

2

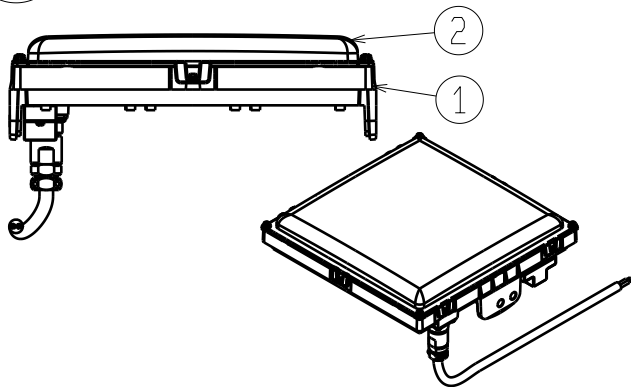
3

4



Caution

- A power supply with constant current of 700mA must be utilized with the product.
- Refrain from using it in an environment with a surrounding temperature of exceeding -30~50 degrees celcius.
- Kindly take note that there is a variation for the light color and brightness of an LED.



Recommended Power Supply	Constant current 700mA Output Voltage 47.2~65.3V
Connecting Cable	Oil & Heat Resistant, Flexible Vinyl Sheath AWG16 (1.3mm ²) X 2 sets External Measurement of Equipment: 1M approximately (Tip Soldering Finish)

Basic Electrical Characteristics
(Surrounding Temperature 25)



Product Name	LLM0545A_UB
Color	GOLD
1/2Beam Angle	4(vertical)X3(horizontal) degree
Luminous Intensity	667.000cd
Protection Level	IP65
Input Voltage	DC56.3V
Input Current	700mA
Power Consumption	39.4 W
Lifetime of Light Source	42,000h (Luminous Flux Maintenance Factor 70%)

4	LED		9	
3	Inner Lens	Acrylic Resin	9	
2	Outer Lens	Polycarbonate	1	Hard Coat
1	Main Body	Aluminum Die Cast	1	
Part No.	Part Name	Material	QTY	Remarks

材質 MATAL.	*****	設計 DGN. ONO	検図 CHK. NAKAJIMA	品名コード PART CODE 2507692300
処理 FINISH	*****	制定日 DWG. DATE	承認 APP.	品名 NAME LLM0545A-UB/SPEC DRAW
質量 MASS	2.3kg	2018.12.07	ITO	

尺度 SCALE	1 : 5	スタンレー電気株式会社 STANLEY ELECTRIC CO., LTD.	図番 DWG. NO.	D00193491A
単位 UNIT mm				

⚠ Safety Precautions

- Operating the product at areas which are exposed to severe oscillations and shock, salt, corrosive gases and with humidity levels exceeding 90% is inhibited. Falling of equipment and electric shock which could arise due to bad insulation are potential fire hazards.
- Utilizing the product at areas which are prone to flooding or puddling is prohibited as an electric shock might be induced.
- Handling of the product should be done on structures with flat and smooth surfaces to avoid falling of product.
- The entire product, regardless of whichever material on its front or any part; should not be thoroughly covered to prevent a fire accident from occurring.
- If product has to be placed at areas where fallen leaves and carcasses of insects could accumulate on the heat dissipation fins, these places ought to be regularly cleaned. Also, diminishing of heat dissipation properties could lead to a reduction in the speed of light and thus a shorter lifetime.
- It should not be assumed or used as a moving light.
- Handling Instructions should be referred to so that product could be handled with caution.

